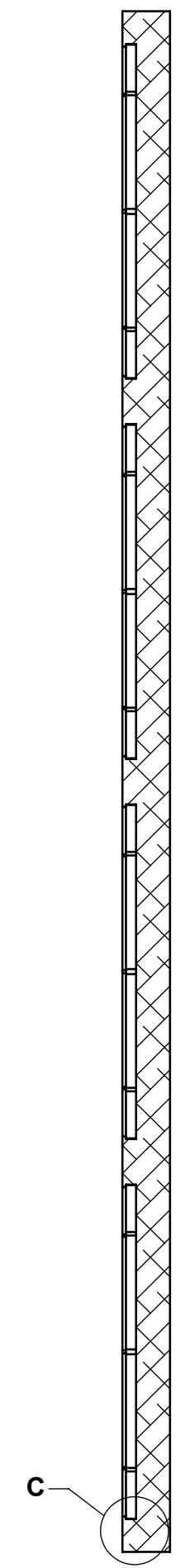
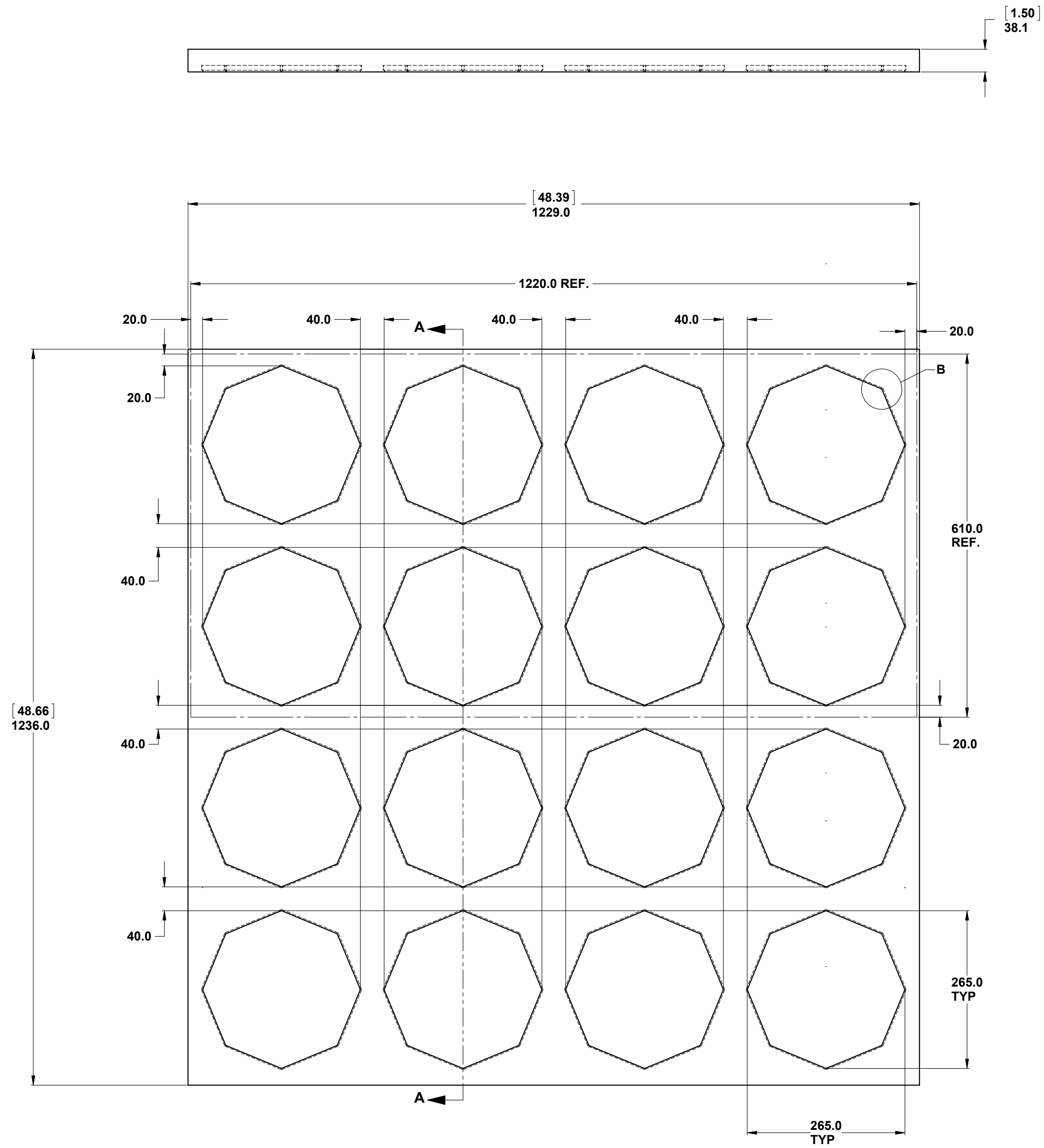
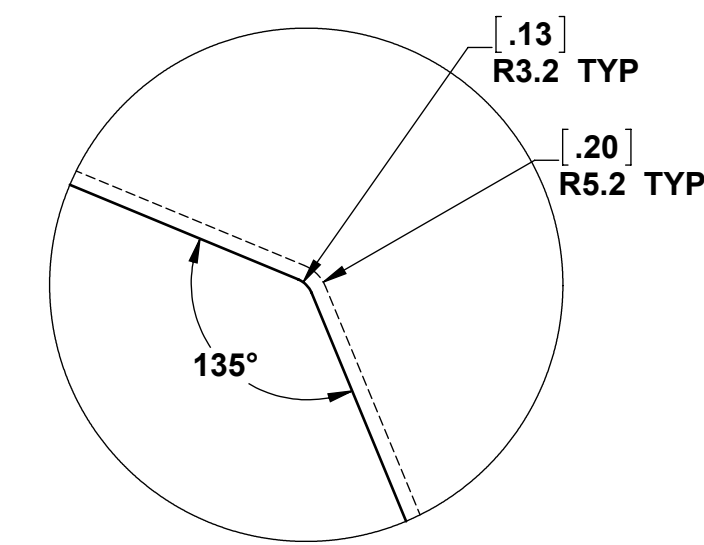


ITEM	QTY.	DWG NO.	REV	DESCRIPTION	MAT'L	STOCK SIZE	HEAT TREAT	SURF TREAT	WGT
1	1	16638-0100-001	0	EMBOSSING TOOL	Alum TOOLING PLATE	1.500 X 48.39 X 48.66			

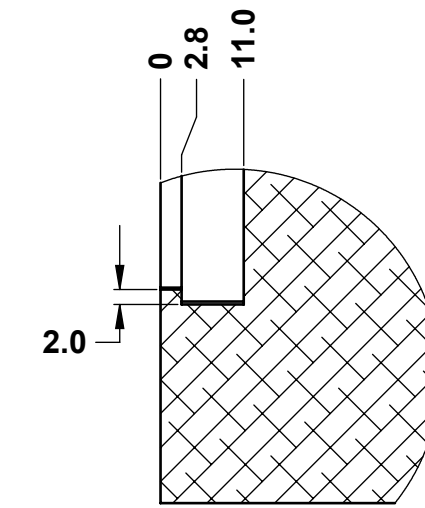
REVISIONS / RELEASE STATUS				
REV. NO.	DATE	NAME	DESCRIPTION	ECN
0	20/03/2015	TG	ISSUED FOR CONSTRUCTION	



SECTION A-A



DETAIL B
SCALE 1 : 1
TYP



DETAIL C
SCALE 1 : 1
TYP

