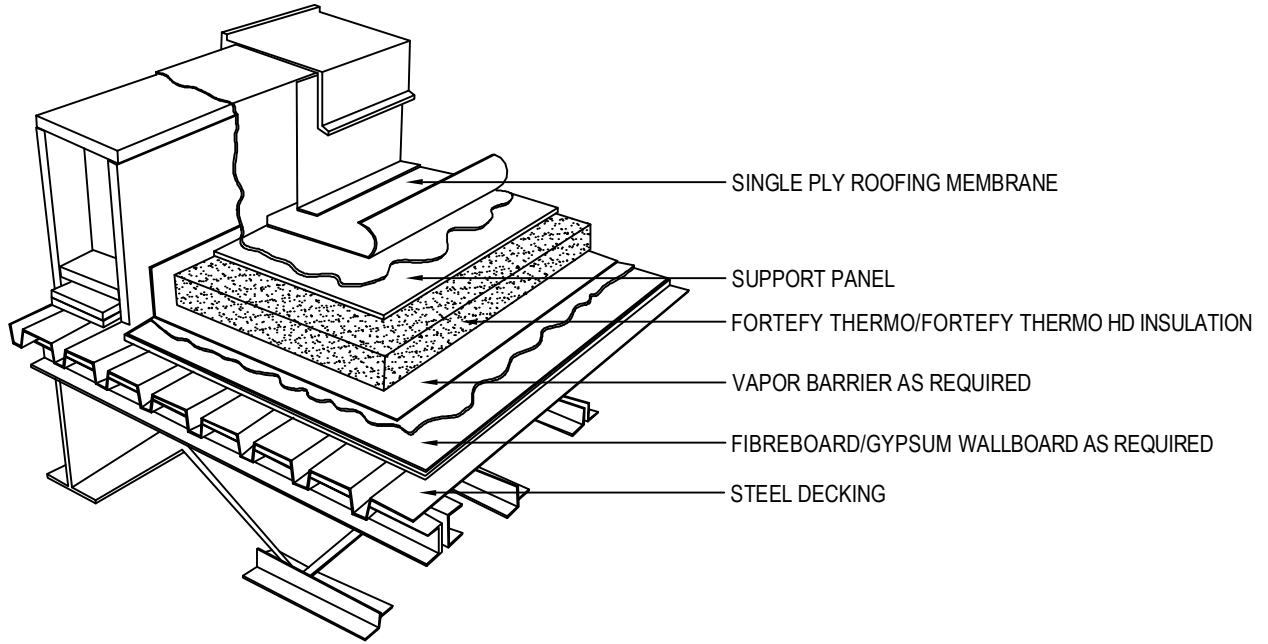




FORTE
EPS SOLUTIONS INC
EXPANDING SOLUTIONS

FORTE EPS SOLUTIONS INC.
16567 HWY 12
MIDLAND, ON L4R 4K8
PHONE: (855) 527-4220
FAX: (705) 526-9529
www.forteeps.com



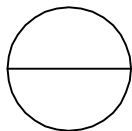
SECTION EXTERIOR WALL

COST EFFECTIVE
LOW MOISTURE ABSORPTION
QUICK INSTALLATION

NON BIODEGRADABLE, DOES NOT SUPPORT MOULD
CONTAINS NO CFCS OR HCFC, DOES NOT OFF-GAS AND IS AN INERT MATERIAL
3RD PARTY CERTIFICATION ENSURES OUR PRODUCT DELIVERS

NOTES:

1. THIS DRAWING IS FOR ILLUSTRATIVE PURPOSES ONLY. DESIGN OF ANY WALL ASSEMBLY FOR A SPECIFIC PROJECT SHALL BE REVIEWED AND/OR APPROVED BY A LICENSED ARCHITECT/ENGINEER.
2. ALL PROJECT SPECIFIC DRAWINGS AND SPECIFICATIONS SHALL COMPLY WITH THE LOCAL BUILDING CODE.
3. INSTALLATION OF FORTE EPS INSULATION SHALL COMPLY WITH THE LOCAL BUILDING CODE AND FORTE'S INSTALLATION GUIDELINES/INSTRUCTIONS. IN CASE OF CONFLICT, THE LOCAL BUILDING CODE SHALL ALWAYS SUPERSEDE.
4. DO NOT SCALE DRAWING.
5. THIS DRAWING IS INTENDED FOR USE BY ARCHITECTS, ENGINEERS, CONTRACTORS, CONSULTANTS AND DESIGN PROFESSIONALS FOR PLANNING PURPOSES ONLY. THIS DRAWING MAY NOT BE USED FOR CONSTRUCTION.
6. ALL INFORMATION CONTAINED HEREIN WAS CURRENT AT THE TIME OF DEVELOPMENT BUT MUST BE REVIEWED AND APPROVED BY THE PRODUCT MANUFACTURER TO BE CONSIDERED ACCURATE.
7. CONTRACTOR'S NOTE: FOR PRODUCT AND COMPANY INFORMATION VISIT WWW.CADDETAILS.COM/INFO AND ENTER REFERENCE NUMBER 4900-012.



APPLICATION DETAILS

ABOVE GRADE – FORTE EPS INSULATION WITH SINGLE PLY ROOFING MEMBRANE